

FB series barrier cable glands for non-armoured cable are used to ensure the IP 66/67 degree and the explosion protection in applications with regulations of installation according to EN-IEC 60079-14:2015 Standard.



Classification: 2014/34/UE	Group II	Category 2GD
Installation: EN 60079.14	zone 1 - zone 2 (Gas)	zone 21 - zone 22 (Dust)
Marking:	CE 0722 Ex II 2 GD - Ex d IIC Gb Ex e IIC Gb Ex tb IIIC Db IP66/67	
Certification:	ATEX	CESI 00 ATEX 075X
	IECEX	IECEX CES 14.0015X
	TR CU	AVAILABLE
Standards:	CENELEC EN 60079-0: 2012, EN 60079-1: 2007, EN 60079-7: 2007, EN 60079-31: 2009 and European Directive 2014/34/UE	
	IEC60079-0: 2011, IEC60079-1: 2007-04, IEC60079-31: 2008, IEC 60079-7: 2006-07 Directive RoHS 2002/95/CE	
Class temperature:	-20°C +100°C	
Degree of protection:	IP66/67	

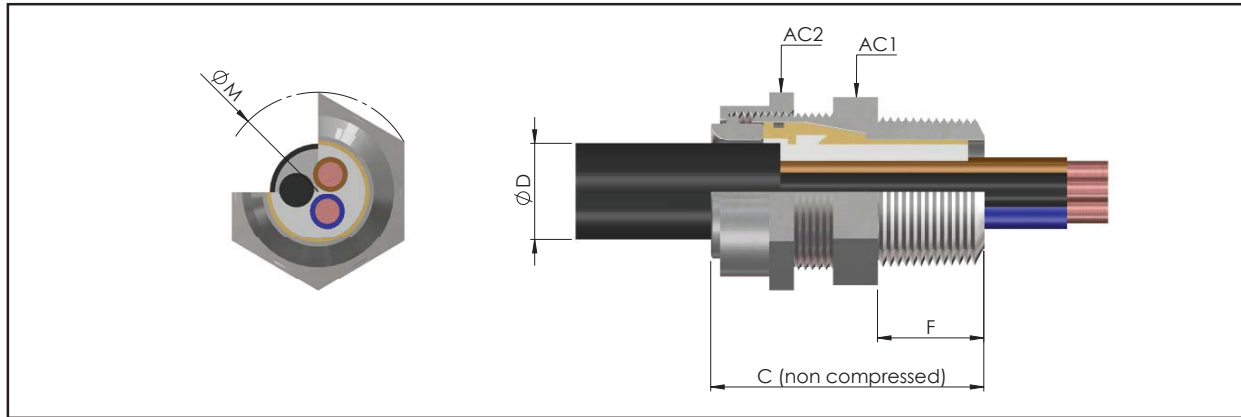
Interactive Point

[FB assembly instructions video](#)

Certificates are available on www.cortemgroup.com

Accessories upon request						
Locknut *	ISO thread	nickel-plated brass	Shrouds black PVC made	Code	Nichel-plated brass earthing rings *	Code
	M20x1,5	DL1IB		PGA1		A1311IB
	M25x1,5	DL2IB		PGA2		A2311IB
	M32x1,5	DL3IB		PGA3		A3311IB
	M40x1,5	DL4IB		PGA6R		A4311IB
	M50x1,5	DL5IB		PGA6R		A5311IB
	M63x1,5	DL6IB		PGA6		A6311IB
	M75x1,5	DL7IB		PGA7		A7311IB
	M90x1,5	DL8IB		PGA8		A8311IB
	Stainless steel idented washers *		For ISO threading	Code	Adaptors and reducers RE... series	
		M20	RD11IS/A4			
		M25	RD12IS/A4			
		M32	RD13IS/A4			
		M40	RD14IS/A4			
		M50	RD15IS/A4			
M63		RD16IS/A4				

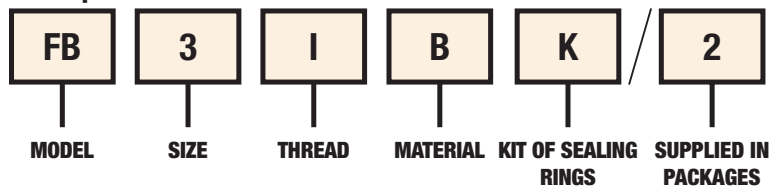
* For different threads contact the sales office.



CABLE GLANDS SELECTION TABLE

Code Nichel-plated brass	Thread	Dimensions in mm					Range	Weight
		AC1	AC2	ØM	F	C	ØD min-max	Kg
FB1BK/3	1/2" ISO7/1	27	30	35	19	58	5 - 13	0,140
FB2BK/3	3/4" ISO7/1	32	35	41	19	58	11 - 18	0,170
FB3BK/2	1" ISO7/1	40	42	49	26	66	17 - 24	0,275
FB4BK	1 ¼" ISO7/1	53	60	69	26	68	23 - 30	0,390
FB5BK	1 ½" ISO7/1	60	67	77	26	68	29 - 38	0,510
FB6BK	2" ISO7/1	72	79	91	26	68	36 - 49	0,720
FB7BK	2 ½" ISO7/1	95	105	121	32	76	44 - 61	1,220
FB8BK	3" ISO7/1	105	115	133	32	76	59 - 74	1,580
FB1NBK/3	1/2" NPT	27	30	35	19	58	5 - 13	0,140
FB2NBK/3	3/4" NPT	32	35	41	19	58	11 - 18	0,170
FB3NBK/2	1" NPT	40	42	49	26	66	17 - 24	0,275
FB4NBK	1 ¼" NPT	55	60	69	26	68	23 - 30	0,390
FB5NBK	1 ½" NPT	60	67	77	26	68	29 - 38	0,510
FB6NBK	2" NPT	72	79	91	26	68	36 - 49	0,720
FB7NBK	2 ½" NPT	90	105	121	32	76	44 - 61	1,220
FB8NBK	3" NPT	105	115	133	32	76	59 - 74	1,580
FB1IBK/3	M20x1,5	27	30	35	16	55	5 - 13	0,140
FB2IBK/3	M25x1,5	32	35	41	16	55	11 - 18	0,170
FB3IBK/2	M32x1,5	40	42	49	16	56	17 - 24	0,275
FB4IBK	M40x1,5	55	60	69	16	58	23 - 30	0,390
FB5IBK	M50x1,5	60	67	77	16	58	29 - 38	0,510
FB6IBK	M63x1,5	72	79	91	18	60	36 - 49	0,720
FB7IBK	M75x1,5	95	105	121	18	62	44 - 61	1,220
FB8IBK	M90x1,5	105	115	133	18	62	59 - 74	1,580

Example of Order Code



Resin compound kit:
Cable glands are supplied
with a resin bag, mixing
spatula and protective
gloves.



For sealing system, diameter and maximum number of conductors to be used see "Sealing method" chapter

TECHNICAL NOTES:

- The silicone o-ring for the IP protection for cylindrical threads (ISO metric) is supplied already assembled on cable gland
- Other materials upon request
- For "Ex i" intrinsically safe marking, blu nut RAL 5015 (example code FB5BKIA)