

UNP series cable glands with PG thread are used in hazardous areas to allow the direct insertions of non-armoured cables into 'Ex e' (UNP...XE) or 'Ex i' (UNP...XI) equipment or junction boxes. They can be installed easily, they are strikes resistant until 7J and they ensure Ex and IP protection on the cable external sheath.



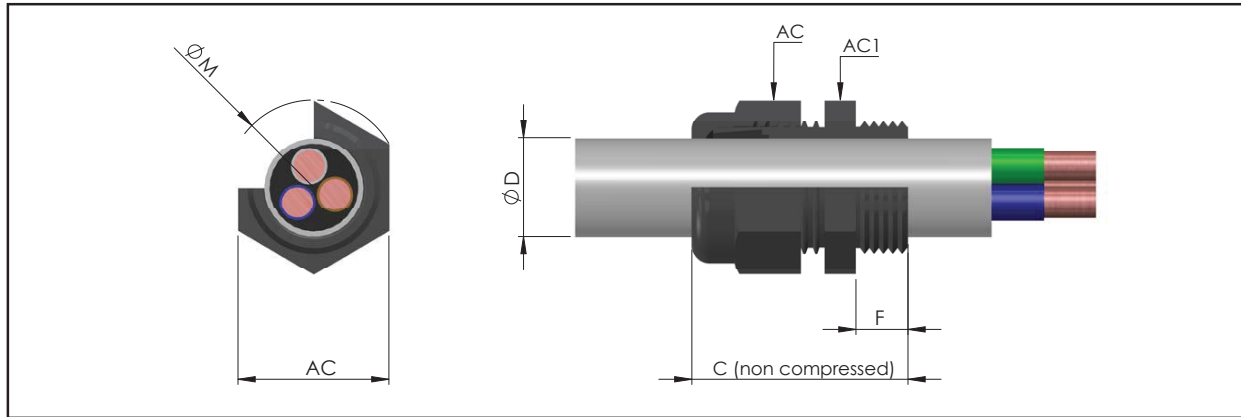
Interactive Point

[UNP assembly instructions video](#)

Classification: 2014/34/UE	Group II	Category 2GD
Installation: EN 60079.14	zone 1 - zone 2 (Gas)	zone 21 - zone 22 (Dust)
Marking:	CE 0722 Ex II 2 GD - Ex e IIC Gb Ex tb IIIC Db IP66/68 CE 0722 Ex II 2 GD - Ex i IIC Gb Ex tb IIIC Db IP66/68	
Certification:	ATEX	IMQ 16 ATEX 005X
	IECEX	IECEX IMQ 15.0009X
Standards:	CENELEC EN 60079-0: 2012, EN 60079-7: 2007, EN 60079-11: 2012, EN 60079-31: 2014 and European Directive 2014/34/UE IEC 60079-0: 2011, IEC 60079-7: 2006, IEC 60079-11: 2012, IEC 60079-31: 2014 Directive RoHS 2002/95/CE	
Class temperature:	-60°C +70°C	
Degree of protection:	IP66/68	

Certificates are available on www.cortemgroup.com

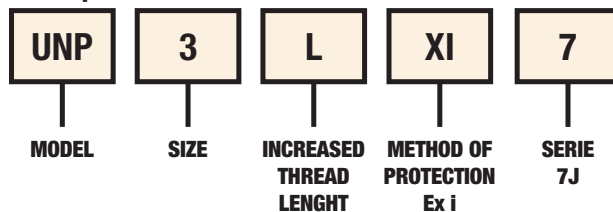
Accessories upon request						
Locknut	Thread PG	Code	Material	Plugs for IP protection	Thread PG	Code
	7	DL1PXEP	Polyamide		7	PT7
	9	DL2PXEP			9	PT01E
	11	DL3PXEP			11	PT01L
	13,5	DL4PXEP			13,5	PT1
	16	DL5PXEP			16	PT1L
	21	DL6PXEP			21	PT2L
	29	DL7PXEP			29	PT3L
	36	DL8PXEP			36	PT4L
	42	DL9PXEP			42	PT5
	48	DL10PXEP			48	PT6



CABLE GLANDS SELECTION TABLE

Code Polyamide	Method of protection	Thread	Dimensions in mm					Range	Weight
			AC	AC1	ØM	F	C	ØD min-max	Kg
UNP1XE7	Ex e	PG 7	15	15	17	10	32	4 - 6,5	
UNP2XE7		PG 9	19	19	22	10	36	5 - 8	
UNP3LXE7		PG 11	22	22	25	15	44,5	6 - 10	
UNP4LXE7		PG 13,5	24	24	25,5	15	45	7 - 12	
UNP5LXE7		PG 16	27	27	31	15	48	11 - 14	
UNP6LXE7		PG 21	33	33	38	15	50	14 - 18	
UNP7XE7		PG 29	42	42	48	15	55,5	19 - 25	
UNP8XE7		PG 36	53	53	61	18	68	23 - 32	
UNP9XE7		PG 42	60	60	70	18	72	31 - 38	
UNP10XE7		PG 48	65	65	75	18	72	35 - 44	
UNP1XI7	Ex i	PG 7	15	15	17	10	32	4 - 6,5	
UNP2XI7		PG 9	19	19	22	10	36	5 - 8	
UNP3LXI7		PG 11	22	22	25	15	44,5	6 - 10	
UNP4LXI7		PG 13,5	24	24	25,5	15	45	7 - 12	
UNP5LXI7		PG 16	27	27	31	15	48	11 - 14	
UNP6LXI7		PG 21	33	33	38	15	50	14 - 18	
UNP7XI7		PG 29	42	42	48	15	55,5	19 - 25	
UNP8XI7		PG 36	53	53	61	18	68	23 - 32	
UNP9XI7		PG 42	60	60	70	18	72	31 - 38	
UNP10XI7		PG 48	65	65	75	18	72	35 - 44	

Example of Order Code



TECHNICAL NOTES:

- Silicone gaskets
- Color of cable gland black RAL 9005 (Ex e) or blue RAL 5015 (Ex i)
- Strikes resistant 7J
- Different length of thread